

March Networks® offers an **Environmental Housing** that is compatible with all of its fixed IP cameras. The housing provides IP66-rated protection against dust and heavy rain, and shields the installed camera from tampering and damage. It is the perfect solution for outdoor applications, as well as potentially destructive indoor conditions.



INNOVATIVE, STYLISH DESIGN

The environmental housing is aesthetically designed with side-opening access to the camera to simplify installation and service. The housing's interior is spacious enough to accommodate any March Networks fixed camera and lens combination.

BUILT FOR PROTECTION

Made of die-cast aluminum, the housing allows the installed camera to operate in temperatures as low as -40° F / -40° C, and up to 122° F / 50° C. Its IP66 rating protects the camera from dust and heavy jet spray. The sunshield has an integrated edge protector, and is constructed of ABS plastic, which makes the sunshield impact-resistant and impervious to water, salt, acids and other chemicals.

MULTIPLE MOUNTING OPTIONS

Several mounting options are available to accommodate a variety of mounting requirements. Choose from a wall mount with up to a 65° inclination, or a ceiling mount with a 90° inclination. The mounts are also constructed from die-cast aluminum, and powder-painted to match the housing. The housing's position can be adjusted with just one bolt, and both mounts are vandal-proof, thanks to the internal cable channel.

FEATURES

- Indoor and outdoor installation
- Side opening, easy to install and service camera
- M20 cable gland easily accommodates pre-assembled Ethernet cables
- Aluminum casing
- IP66-rated protection
- Sunshield included
- Wall and ceiling mount options
- Optional power supply generates 12 VDC output for applications where PoE is unavailable

PART NUMBERS

HOUSING

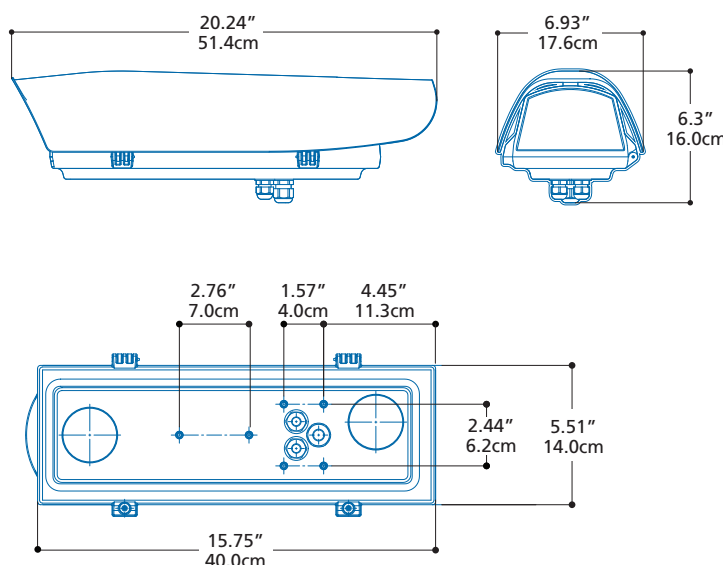
- 26481 – Environmental housing

MOUNTS

- 26485 – Wall mount
- 26486 – Ceiling mount

POWER SUPPLY

- 26480 – 115/220 VAC power supply



Environmental Housing for Fixed Cameras

GENERAL

Supported Cameras	25551 MegaPX 5MP 25552 MegaPX WDR MEGAPX720P MegaPX 720p MEGAPX1080P MegaPX 1080p VCS-IFC CamPX Standard Resolution
Construction	Epoxy polyester powder-coated aluminum housing Sunshield in ABS Stainless steel external screws
Color	White gray (RAL9002)
Power	120 VAC, 40W
Protection Rating	IP66
Regulatory Approvals	CE EN61000-6-3, EN60950-1, EN50130-4
Included Accessories	Sunshield Heater and thermostat Instruction manual Desiccant bag Accessories for camera and lens mounting
Optional Accessories	Wall mount bracket Ceiling mount bracket 115/220 VAC power supply

MECHANICAL

Cable Glands	1xM12; 1xM16; 1xM20 (designed to accommodate pre-assembled Ethernet cables)
Glass Window (WxH)	4.6 in x 2.6 in / 11.8 x 7.0 cm
Internal Usable Area (WxH)	3.9 in x 2.6 in / 10.0 x 7.0 cm
Internal Usable Cable Length	9.8 in / 25.0 cm
Weight	9.5 lbs / 4.3 kg

ENVIRONMENTAL

Application	Indoor/outdoor
Operating Temperature with Heater	-40° to 122° F / -40° to 50° C
Fog Resistance	Resistant to salty fog until 1000 hours (according to ISO9227)



The housing's spacious interior enables it to accommodate any March Networks fixed IP camera and lens combination.

MOUNTING BRACKETS

<p>Wall Mount Part Number: 26485 Material: Aluminum Color: White gray Weight: 1.32 lbs/0.60 kg</p>		
<p>Ceiling Mount Part Number: 26486 Material: Aluminum Color: White gray Weight: 2.87 lbs/1.30 kg</p>		