

Command I/O Extension Board



The March Networks® **Command™ I/O Extension Board** is a compact peripheral device that provides additional alarm inputs and relay outputs to a Command Recording Server (CRS) in a standalone, compact form factor. The device supports local USB connectivity to the CRS, and can also be connected via the network to a CRS or March Networks 7532 Hybrid NVR.



EXPANSION

Highly scalable, the Command I/O Extension Board offers 16 alarm inputs and 16 auxiliary relay outputs. Unlimited extension boards can be supported from a single CRS. When faced with applications that require more inputs/outputs than are available from your system's video recorders, IP cameras or encoders, this device offers an efficient and cost-effective solution.

INTEGRATION

This high-density I/O Extension Board can be deployed almost anywhere. It enables alarm intrusion devices — such as alarm systems, door switches, and IR motion/glass break/smoke

detectors — to trigger recording, live streaming, automated video popups or other CRS events. The extension board can also trigger electric gates, doors and other devices to automatically open and close, and campus security strobe lights to turn on and off.

ECONOMICAL AND FLEXIBLE

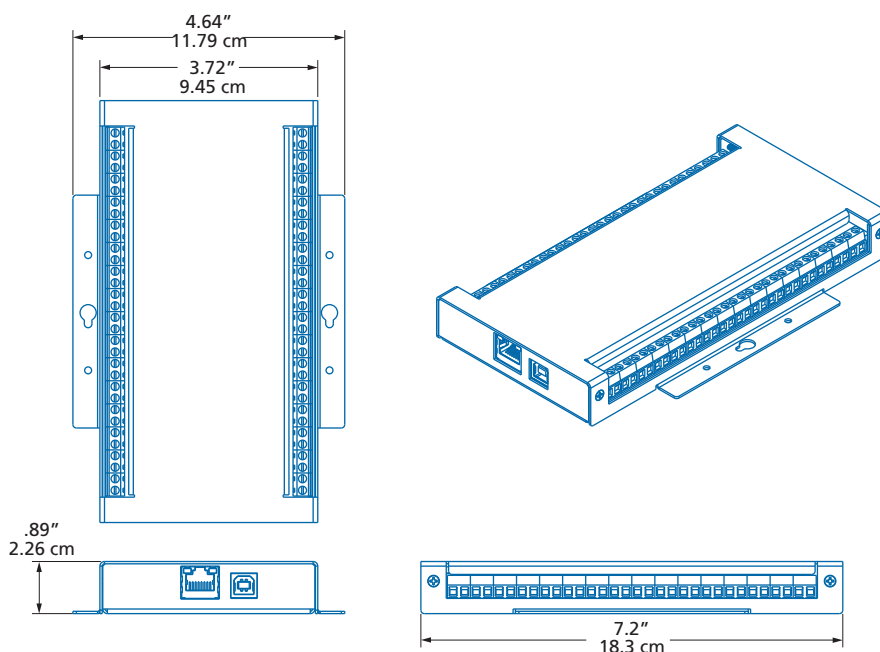
When deployed using its network interface, the I/O Extension Board is powered via standard 802.11af Power-over-Ethernet. Since it can also be used locally with a CRS, the device delivers flexible options for a variety of video surveillance environments.

FEATURES

- 16 alarm inputs
- 16 relay outputs
- Network or USB interface
- Power-over-Ethernet
- Standalone form factor
- Desktop or wall mount
- Fully compatible with March Networks Command video management software

PART NUMBERS

- VMS-ALM-IO-16



Command I/O Extension Board

DEVICE I/O

Number of Inputs	16
Input Ports	Opto-isolated input, maximum 5 volts
Number of Outputs	16
Output Ports¹	Relay output, maximum 200 volts, 500mA or 10W

SYSTEM INTEGRATION

Supported Recorders	Command Recording Server, 7532 Hybrid NVR, VMS 2.1.1 with USB port only
Alarm Triggers	External inputs
Alarm Events	External output activation

NETWORK

Security	Password protection, HTTPS encryption (configuration only)
Supported Protocols	HTTPS, IPv4, TCP,UDP, DHCP
Interface	10/100Mbps Ethernet
Internet Browser	Internet Explorer, Firefox, Chrome

GENERAL

Housing	Metal casing
Power	Power-over-Ethernet IEEE 802.3af (3.8W max)
USB 2.0 (2.5W max)	IEC 60529 IP65 for Ingress Protection (dust and water)
Operating Conditions	32 to 122°F / 0 to 50°C 8 – 90% Relative Humidity non-condensing
Regulatory Approvals	FCC Part 15 Subpart B; CE EN55022; EN55024; RoHS Directive (2002/95/EC)
Mechanical	
Weight	0.88 lb / 0.40 kg
Dimensions (HxDxW)	0.89 in. x 7.20 in. x 4.64 in. / 2.26 cm x 18.30 cm x 11.79 cm
Included Accessories	USB 2.0 cable, software/driver CD



NOTES: ¹ To avoid possible malfunctions, auxiliary relay outputs must be protected from overvoltage surges when using inductive loads (such as coils or relays).