

# Analog WDR Indoor Dome

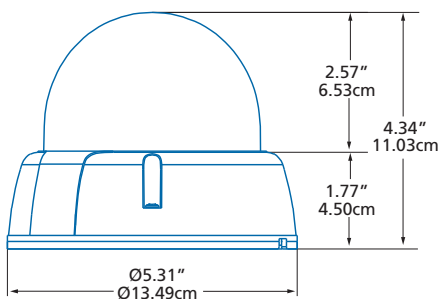


The **Analog WDR Indoor Dome** from March Networks® is the perfect choice for facilities requiring an analog camera that delivers clear images and accurate color reproduction in a variety of lighting conditions, including bright backlight and low-light environments.



## CLEAR IMAGES IN ANY LIGHTING CONDITION

The dome's powerful combination of Wide Dynamic Range (WDR), progressive scan in high resolution, and low-light sensitivity delivers excellent image quality in a variety of lighting situations. Its WDR technology ensures clear images even in severe backlight applications, such as indoor environments where sunlight streaming through windows can cause subjects in the foreground to appear silhouetted. As a result, bright areas do not appear saturated, and dark areas are not too dark. In addition, the camera's Day/Night mode increases its IR sensitivity and provides enhanced night viewing by automatically switching to a black and white image in low light circumstances.

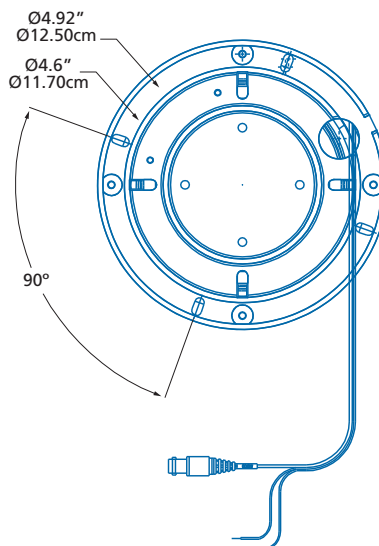


## FLEXIBLE LENS OPTIONS

The Analog WDR Indoor Dome offers two different lens options to provide optimal scene coverage for your facility. The 3.3–12 mm lens is perfect for wide coverage, and the 9–22 mm lens works best for standard coverage.

## EASY TO INSTALL

The camera's BNC output and wide tilt operation make it quick and easy to install. In addition, the camera is available in surface and pendant mount versions to suit almost any application. The default configurations ensure optimum performance in most lighting conditions, while the integrated On Screen Display (OSD) enables fine tuning of the sensor configurations.



## FEATURES

- 1/3-inch CMOS sensor, NTSC/PAL selectable
- 758 (H) x 540 (V) active pixels, 540 TVL horizontal resolution
- Two lens options: 3.3–12 mm and 9–22 mm
- Wide Dynamic Range
- Day/Night mode
- Automatic white balance
- Discreet housing
- Indoor applications
- Surface mount
- Pendant mount available

## PART NUMBERS

### CAMERAS

- CAMDN-ANA-200 – Analog WDR Indoor Dome (3.3–12 mm lens)
- 25277 – Analog WDR Indoor Dome (9–22 mm lens)

### MOUNTS AND ACCESSORIES

- CAMDN-ANA-200-PDT – Pendant mount (includes one 136.5 mm / 5.4" extension pole)
- CAMDN-ANA-200-EXTP – Additional 136.5 mm / 5.4" extension pole

# Analog WDR Indoor Dome

## CAMERA

<b>Image Sensor</b>	1/3" WDR CMOS
<b>Signal System</b>	NTSC/PAL
<b>Video Output</b>	1.0 Vp-p, 75Ω Composite
<b>Wide Dynamic Range</b>	120 dB (max)
<b>Active Pixel Count</b>	758 (H) x 540 (V)
<b>Lens</b>	3.3 to 12 mm 9 to 22 mm
<b>Auto Iris Lens Type</b>	Auto Iris Lens Type
<b>Horizontal Angle of View</b>	
<b>3.3–12 mm</b>	80.3°–21.3°
<b>9–22 mm</b>	31.3°–12.8°
<b>Minimum Illumination</b>	0.22 lux
<b>Shutter Time</b>	1/25 ~ 1/30,720 sec
<b>Synchronization</b>	Internal/external
<b>S/N Ratio</b>	>53dB (AGC off)
<b>White Balance</b>	ATW, AWB, Manual
<b>AGC</b>	On/Off
<b>OSD Setup</b>	Lens, WDR, white balance control, AGC, low-light, Day/Night, setup ID, sharpness, AE preferences
<b>Adjustment Range</b>	360° pan, 90° tilt, ±90° azimuth

## CONNECTORS

<b>Input Power</b>	2-pin screw terminal
<b>Composite Video</b>	BNC

## ELECTRICAL

<b>Dual Voltage</b>	12 VDC; 24 VAC
<b>Power Consumption</b>	3.0 W max (AC); 2.46 W max (DC)

## PHYSICAL

<b>Construction</b>	ABS resin with polycarbonate bubble
<b>Dimensions (HxD)</b>	4.34 x 5.3 in / 11.03 x 13.49 cm
<b>Weight</b>	0.82 lbs / 0.37 Kg
<b>Operating Conditions</b>	14° to 122°F / -10° to 50°C
<b>Humidity</b>	<90% RH, non-condensing

## REGULATORY

<b>Emissions</b>	FCC Part 15 Class B; ICES-003; EN61000-6-3; RoHS Directive 2002/95/EC
<b>Immunity</b>	EN50130-4

## ACCESSORIES

<b>Included Accessories</b>	L wrench, screws, wall anchors, second BNC cable
<b>Optional Accessories</b>	Pendant mount with extension pole Additional extension pole

